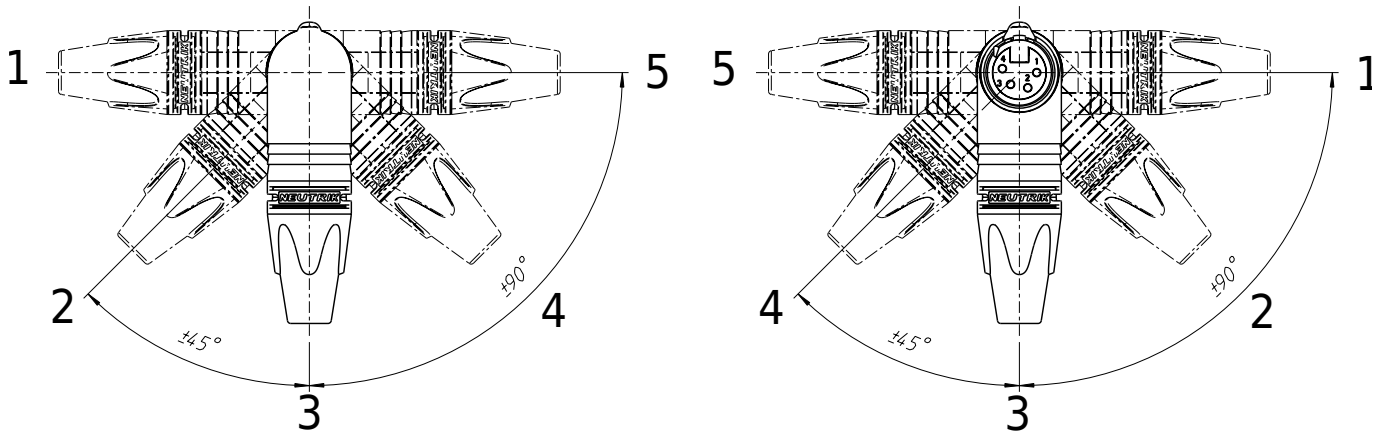


# XLR Angle Plug

With the XLR right-angle plugs from Neutrik, the direction of the cable outlet can be configured in 5 or 7 positions.

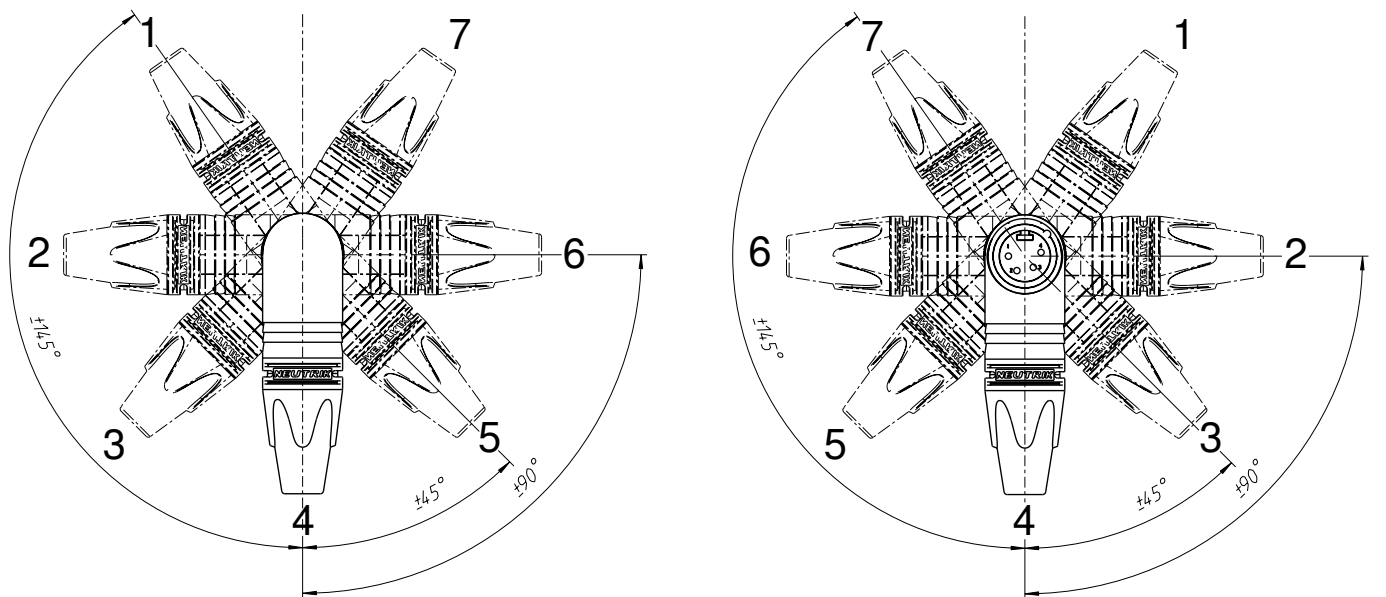
## Female Plug

The *female* angle plug offers 5 possible positions.



## Male Plug

The *male* angle plug offers 7 possible positions.



From:  
<https://docs.2eyetec.com/wiki/> - **2EyeTec Manuals**

Permanent link:  
<https://docs.2eyetec.com/wiki/en/techinfo/winkelstecker/xlR>

Last update: **2023/08/12 16:24**

