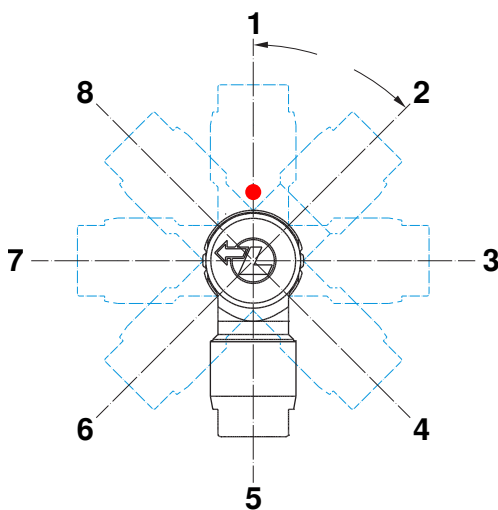


# Lemo

Lemo has two different kind of angle plugs available: one with fixed cable outlet and one with configurable outlet.

The standard angle plug has a fixed direction, the outlet is always at position #5, which is 180° opposite the red dot.

The *Anglissimo* angle plug allows to choose the cable outlet in 8 different directions in 45° steps. All connectors at our cables are secured with glue to prevent accidentally opening. This is also the case with this plug, so unfortunately a subsequent change of direction by the customer is not easily possible.



## Devices

Here you can find a list of devices with this interface.

- [OCU-1](#)

From:

<https://docs.2eyetec.com/wiki/> - **2EyeTec Manuals**

Permanent link:

<https://docs.2eyetec.com/wiki/en/techinfo/winkelstecker/lemo>

Last update: **2024/10/30 08:59**

