

Mini Voltmeter

Description

Small voltmeter with red LED display for monitoring and testing DC voltages from 4 - 30 V.

12.0

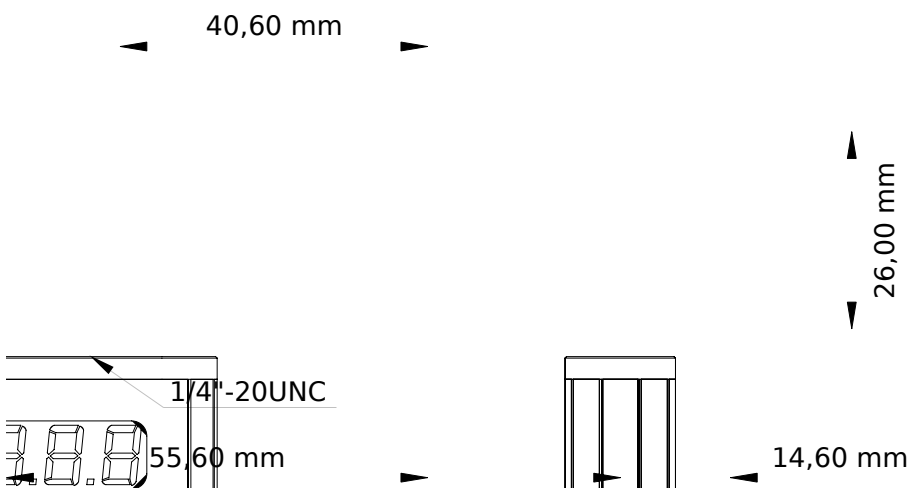
This voltmeter is primarily designed to monitor the voltage level on a classic WCU setup with video receiver and focus monitor. However, it can of course also be used for other voltage measurements.

- Display mode: 3-digit 0.28" LED display
- Display color: red
- Working current: <20mA
- Update rate: 200 ms
- Measurement accuracy: 3%
- Operating temperature: -10°C to 65°C
- Measuring range: 4 - 30V DC voltage
- Cable length: 40cm
- Connector: P-Tap/D-Tap

Instruction

The voltmeter only needs to be connected to the voltage source and immediately displays the measured voltage.

Dimensions



From:
<https://docs.2eyetec.com/wiki/> - **2EyeTec Manuals**

Permanent link:
<https://docs.2eyetec.com/wiki/en/electronic/voltmeter?rev=1613846152>

Last update: **2021/02/20 19:35**

